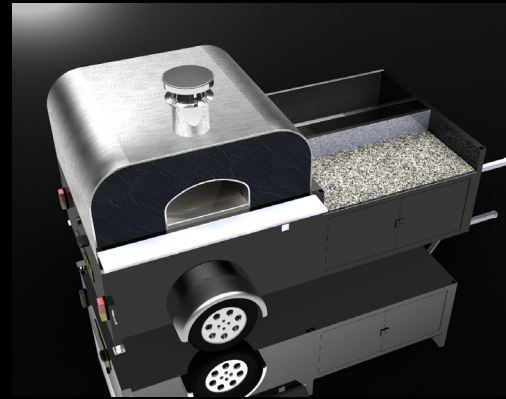




The Phoenix Plus

Mobile Wood Burning Pizza Ovens



The Phoenix Plus is a fantastic catering trailer with huge storage capacity and cargo bay. Making fresh authentic pizza had never being so easy. No need to bring additional prep tables as the Phoenix Plus has a prep area built in with optional granite top. All your pizza equipment can fit on the trailer including prep fridge, fuel, tools and ingredients. With the Phoenix Plus you can pull up and be preparing your pizza within minutes. The Phoenix Plus is the ideal tool for the mobile pizza chef.

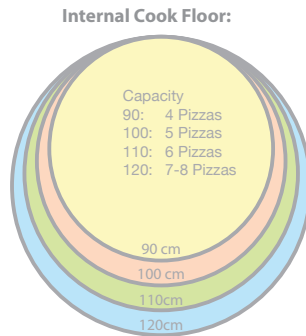
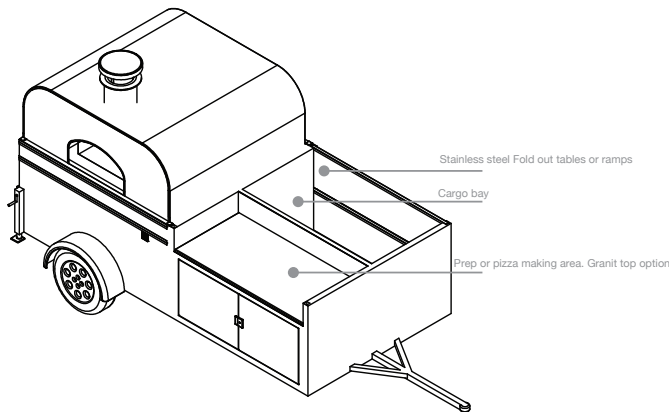
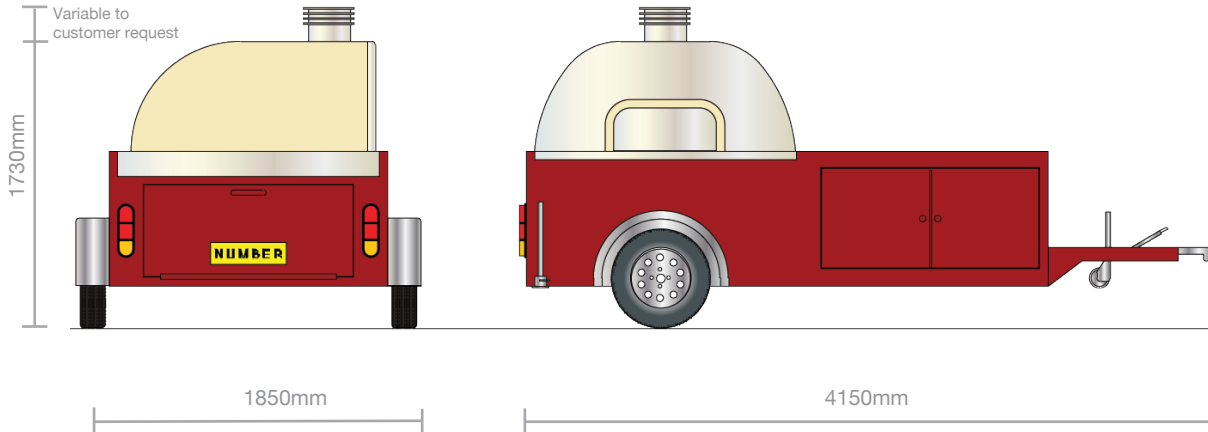
Available with:

*Traditional Dome Enclosure *Stainless Steel Enclosure *Body Coloured Steel Enclosure



The Phoenix Plus Technical Data

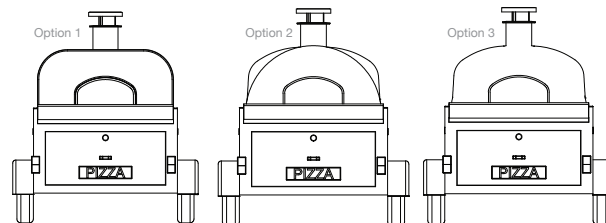
The design and dimensions shown below are a guide only. We tailor each trailer to your requirement.



Standard Specification

- + Wood fired oven
- + 900mm internal oven diameter
- + Oven rear or side facing
- + 5 piece tool set
- + Braked
- + Twist lock removable insulated flue
- + Removeable oven door
- + Large storage compartment
- + Light clusters may differ from shown
- + Choice of colour

Front Options



Colour Options as Standard. Metallic as option.



Standard <input checked="" type="checkbox"/>	Optional <input checked="" type="checkbox"/>	N/A <input checked="" type="checkbox"/>	Phenix Plus
Wood Fired Oven			
		<input checked="" type="checkbox"/>	60cm
		<input checked="" type="checkbox"/>	70cm
		<input checked="" type="checkbox"/>	80cm
		<input checked="" type="checkbox"/>	90cm
		<input checked="" type="checkbox"/>	100cm
		<input checked="" type="checkbox"/>	110cm
		<input checked="" type="checkbox"/>	Premium 120cm
		<input checked="" type="checkbox"/>	Removable Oven Door
		<input checked="" type="checkbox"/>	Hinged Oven Door
		<input checked="" type="checkbox"/>	Upgradeable Oven Enclosure
		<input checked="" type="checkbox"/>	Upgradeable Oven Front
		<input checked="" type="checkbox"/>	Rear Facing Oven
		<input checked="" type="checkbox"/>	Side Facing Oven
Axel Type			
		<input checked="" type="checkbox"/>	Single
		<input checked="" type="checkbox"/>	Double
		<input checked="" type="checkbox"/>	Braked
		<input checked="" type="checkbox"/>	Non-Braked
			Max Weight Including Payload 1500kg
			Flue Type Detachable
Features & Upgrades			
		<input checked="" type="checkbox"/>	Rear Storage
		<input checked="" type="checkbox"/>	5 Piece Tool Set
		<input checked="" type="checkbox"/>	3 Piece Tool Set
		<input checked="" type="checkbox"/>	LPG Gas Burner Jets
		<input checked="" type="checkbox"/>	Snap of Shelves
		<input checked="" type="checkbox"/>	Snap on Prep Tables
		<input checked="" type="checkbox"/>	Pull out Rear Storage Draw.
		<input checked="" type="checkbox"/>	Metal Cover
		<input checked="" type="checkbox"/>	Fabric Cover
		<input checked="" type="checkbox"/>	Chrome Wheels
		<input checked="" type="checkbox"/>	Metalic Paint
		<input checked="" type="checkbox"/>	Awning
		<input checked="" type="checkbox"/>	Fold Out Umbrella
		<input checked="" type="checkbox"/>	Cargo Bay
		<input checked="" type="checkbox"/>	Ramps for Cargo Bay
		<input checked="" type="checkbox"/>	Side Cupboards
		<input checked="" type="checkbox"/>	External lighting
		<input checked="" type="checkbox"/>	Electrical Hook Up
		<input checked="" type="checkbox"/>	Taps
		<input checked="" type="checkbox"/>	Hand Sink
		<input checked="" type="checkbox"/>	2 sink Wash Basin
		<input checked="" type="checkbox"/>	3 Sink Wash Basin
		<input checked="" type="checkbox"/>	Water Boiler 14ltr (internal tank)
		<input checked="" type="checkbox"/>	LPG Instant Hot Water System
		<input checked="" type="checkbox"/>	ECO from Oven Hot Water System
		<input checked="" type="checkbox"/>	Petrol Generator
		<input checked="" type="checkbox"/>	Removable Prep Fridge
		<input checked="" type="checkbox"/>	Large Removable Prep Fridge & Counter